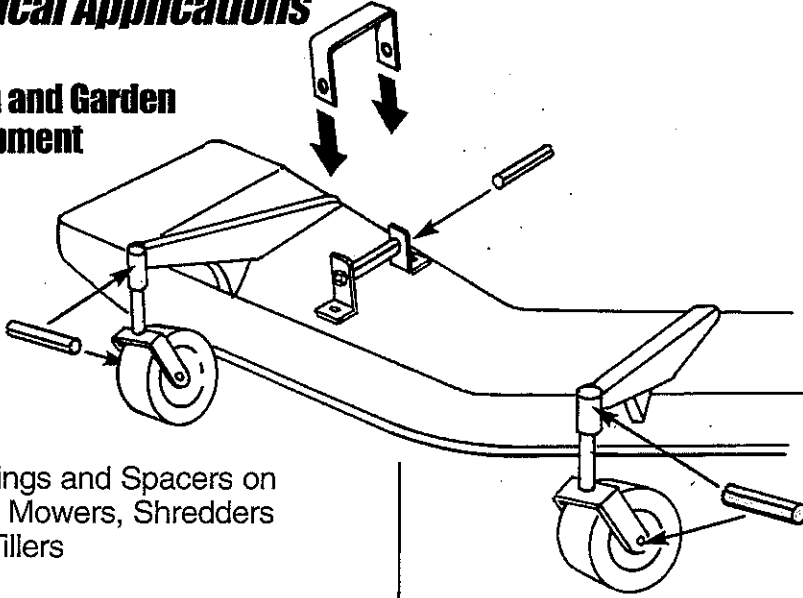


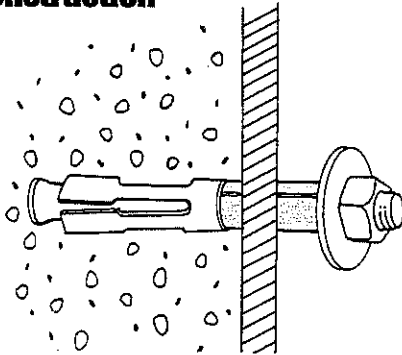
Typical Applications

Lawn and Garden Equipment



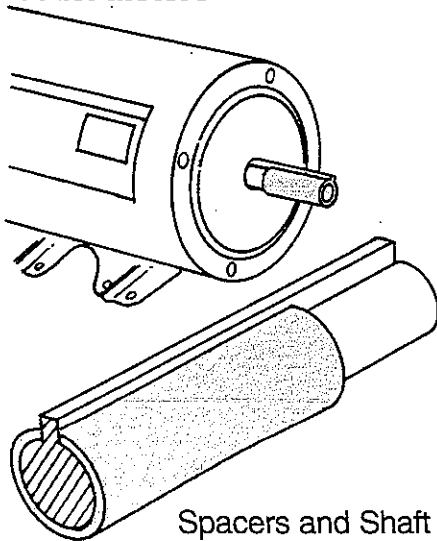
Bushings and Spacers on Lawn Mowers, Shredders and Tillers

Construction



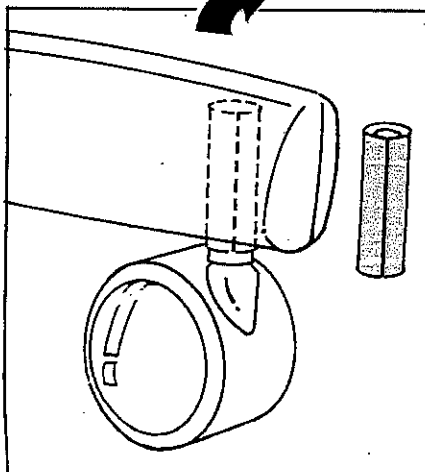
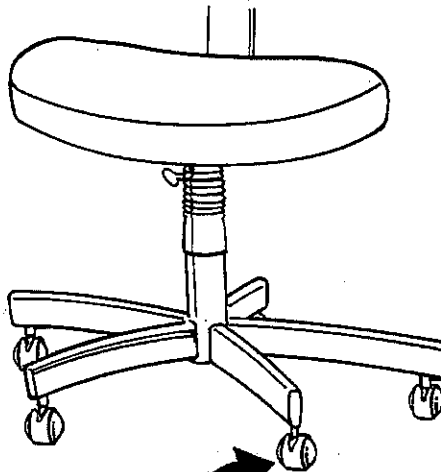
Extension Sleeves for Expansion Anchors

Electric Motors



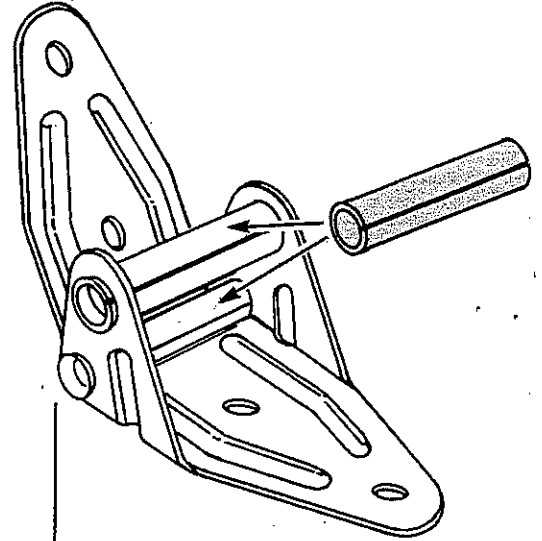
Spacers and Shaft Adapter Bushings for Pulleys

Metal Furniture



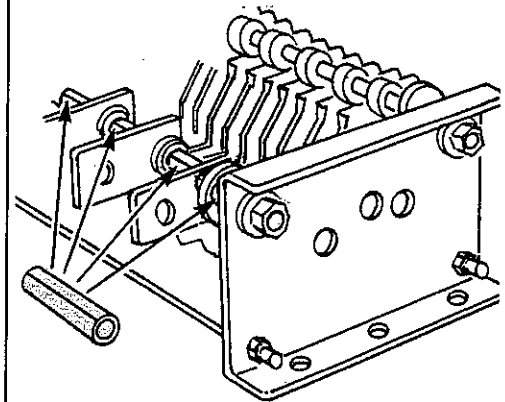
Sockets for Caster Wheel Stems

Garage and Truck Doors



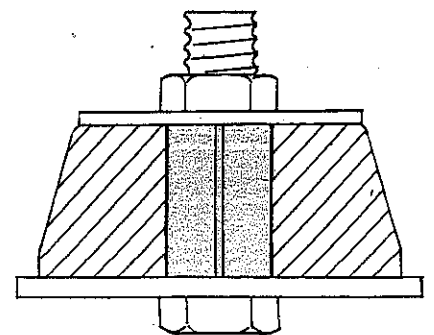
Hinge Tubes and Spacers

Electrical Controls



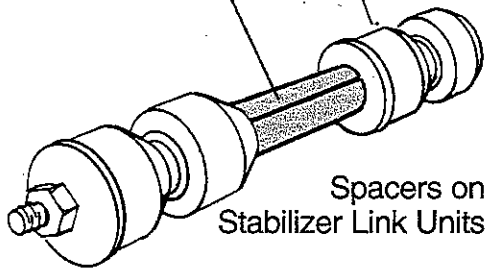
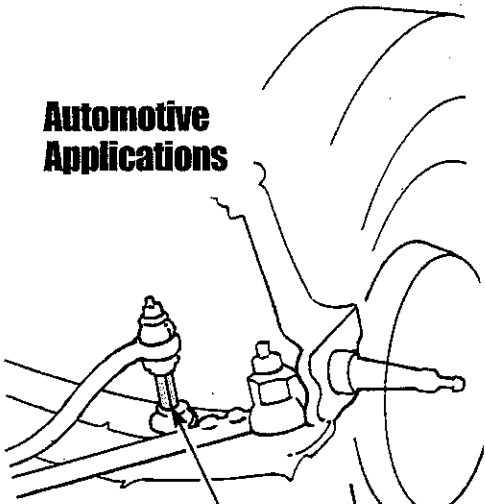
Spacer Applications

Vibration Isolators

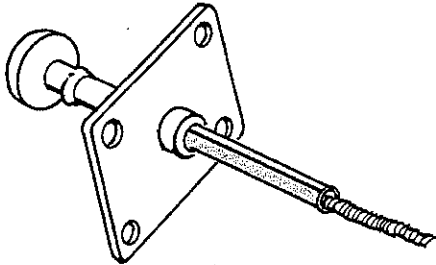


Sleeves in Rubber Grommets for Air Conditioner Compressors

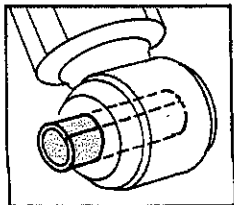
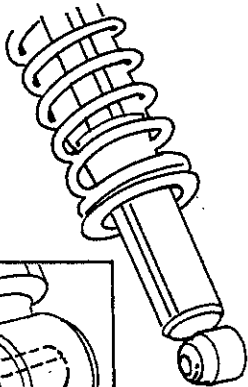
Automotive Applications



Spacers on Stabilizer Link Units

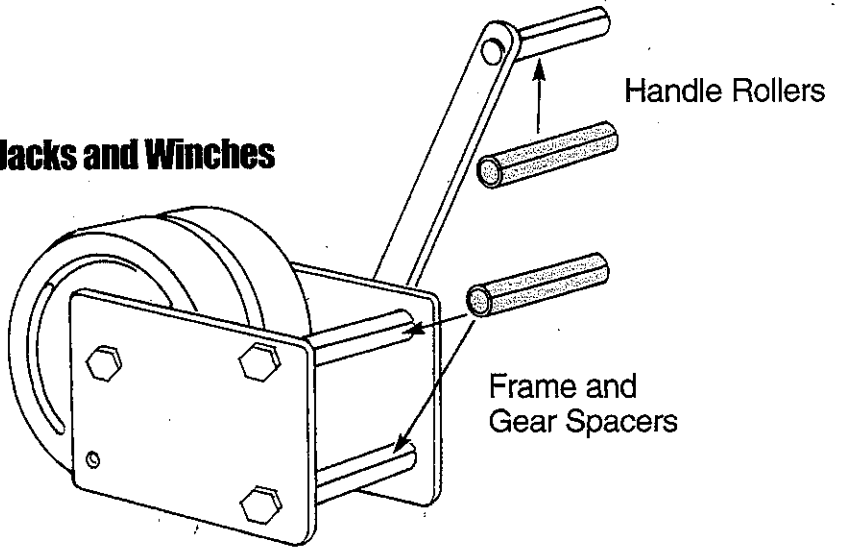


Guide Tubes for Remote Control



Sleeves in Rubber Grommets on Shock Absorbers

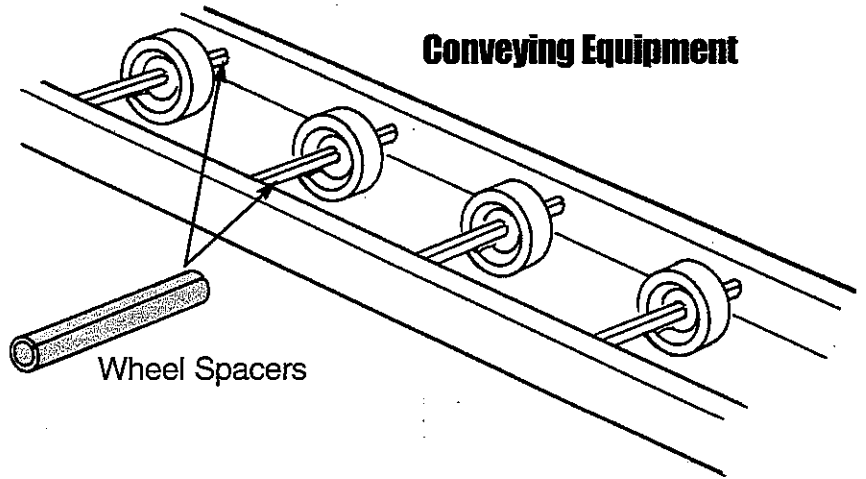
Jacks and Winches



Handle Rollers

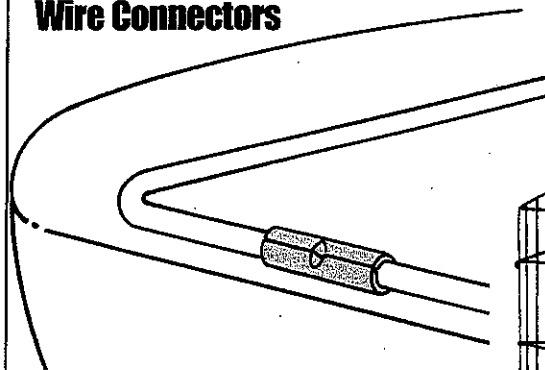
Frame and Gear Spacers

Conveying Equipment



Wheel Spacers

Wire Connectors



Connect Wire Frames on Auto Seat Cushions and Display Units

